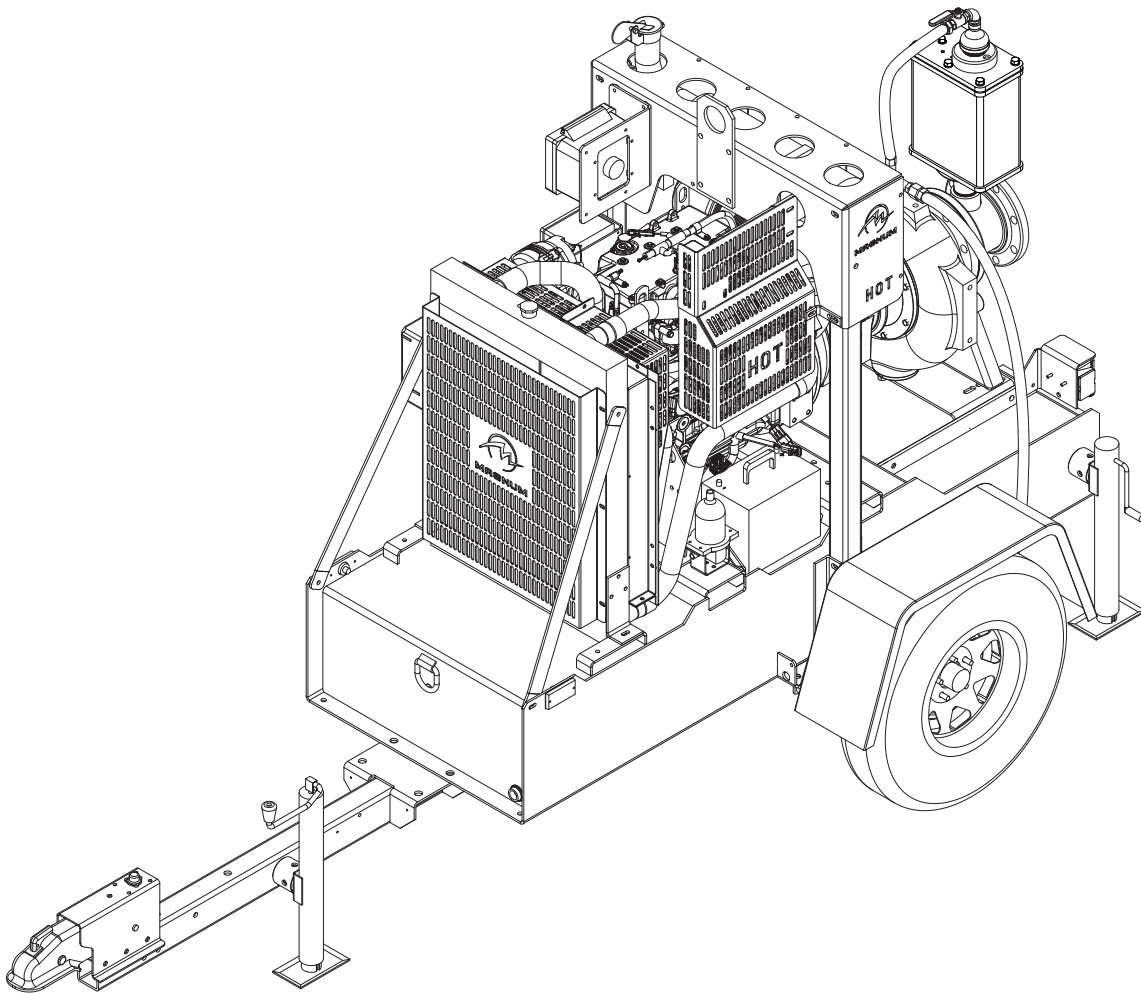




DRY-PRIME DIESEL TRASH PUMP MTP6000D3



PARTS MANUAL

INTRODUCTION

Before servicing this machine, make sure the engine start switch is turned to off "O", the emergency stop switch is closed (pushed in), and the negative (-) terminal on battery is disconnected. Attach a "DO NOT START" sign to the control panel. This will notify everyone that the unit is being serviced and will reduce the chance of someone inadvertently trying to start the unit.

▲ WARNING

Before operating or servicing this equipment, read and understand the Magnum Operating Manual which was included with the unit when shipped from the factory. Failure to do so increases the risk of injury to yourself or others.

MAGNUM POWER PRODUCTS LLC

215 Power Drive • Berlin, WI 54923

U.S.A.

Phone: 920-361-4442

FAX: 920-361-4416

Toll Free: 1-800-926-9768

www.m-p-llc.com

For technical or parts QUESTIONS, please contact Magnum Power Products' Customer Support or Technical Support team at 920-361-4442 or toll free at 1-800-926-9768. Please have your serial number available.

To ORDER SERVICE PARTS, please contact the dealer from which you purchased the unit, or call Magnum Power Products to locate a dealer in your area.

Engine Make: _____

Engine Serial Number: _____

Engine Model Number: _____

Pump Make: _____

Pump Model Number: _____

Pump Serial Number: _____

Unit Model Number: _____

Unit Serial Number: _____

▲ WARNING

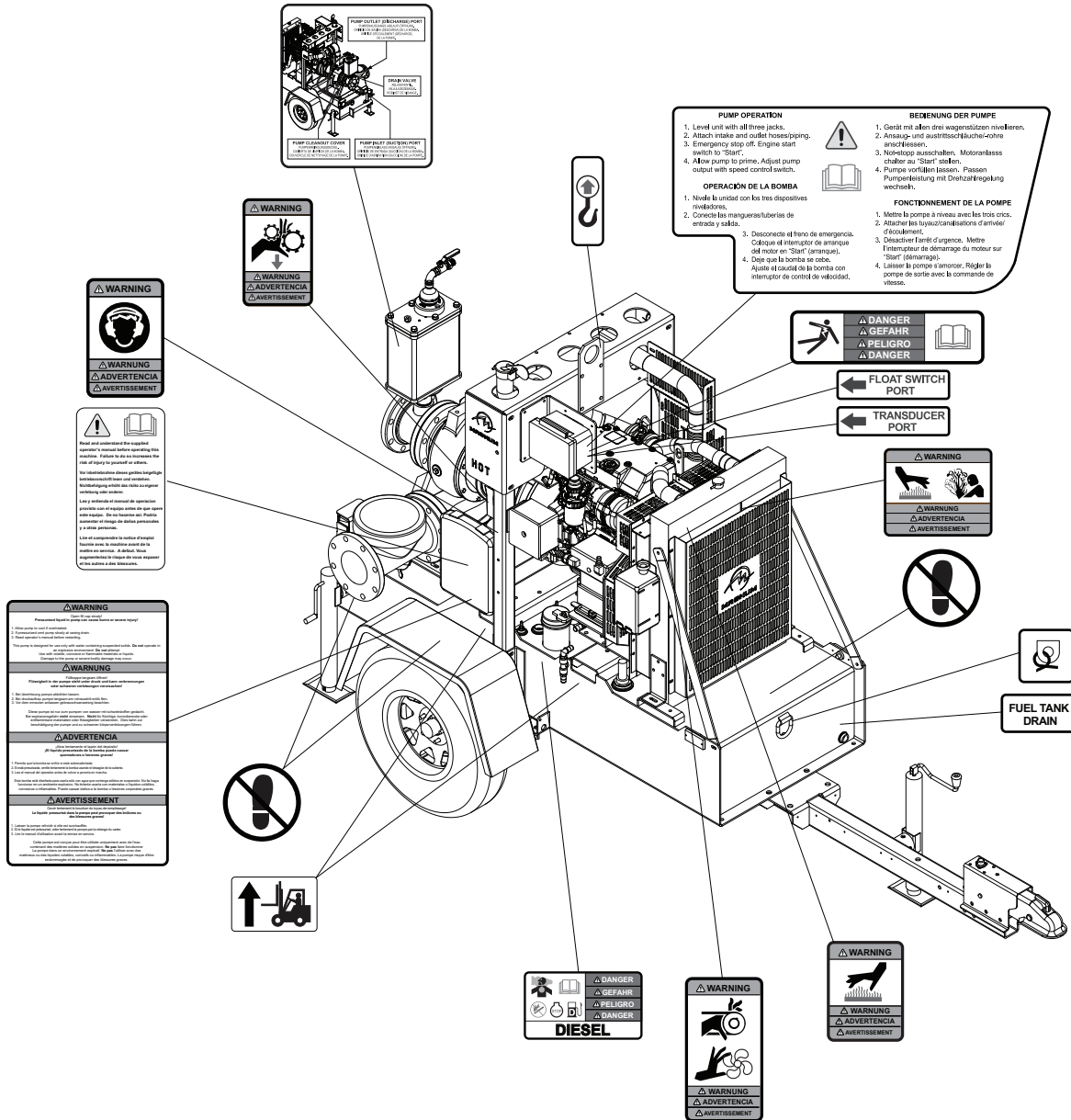
CALIFORNIA PROPOSITION 65 WARNING:

Diesel engine exhaust and some of its constituents are known to the state of California to cause cancer, birth defects and other reproductive harm.

TABLE OF CONTENTS

	Page
INTRODUCTION	2
UNIT DECALS	4
UNIT DECALS (CONTINUED)	5
FUEL TANK ASSEMBLY	6
SKID ASSEMBLY	8
AIR FILTER ASSEMBLY	10
EXHAUST SYSTEM ASSEMBLY	11
ENGINE ASSEMBLY	12
INLET & OUTLET FITTINGS	15
PUMP ASSEMBLY	16
BEARING FRAME ASSEMBLY	18
AIR EDUCTOR KIT	19
PRIMING CHAMBER ASSEMBLY	20
PUMP AIR COMPRESSOR ASSEMBLY	22
CONTROL BOX ASSEMBLY	24
COOLING SYSTEM ASSEMBLY	26
TRAILER ASSEMBLY	28
BRAKE LINES	30
NOTES	31

UNIT DECALS



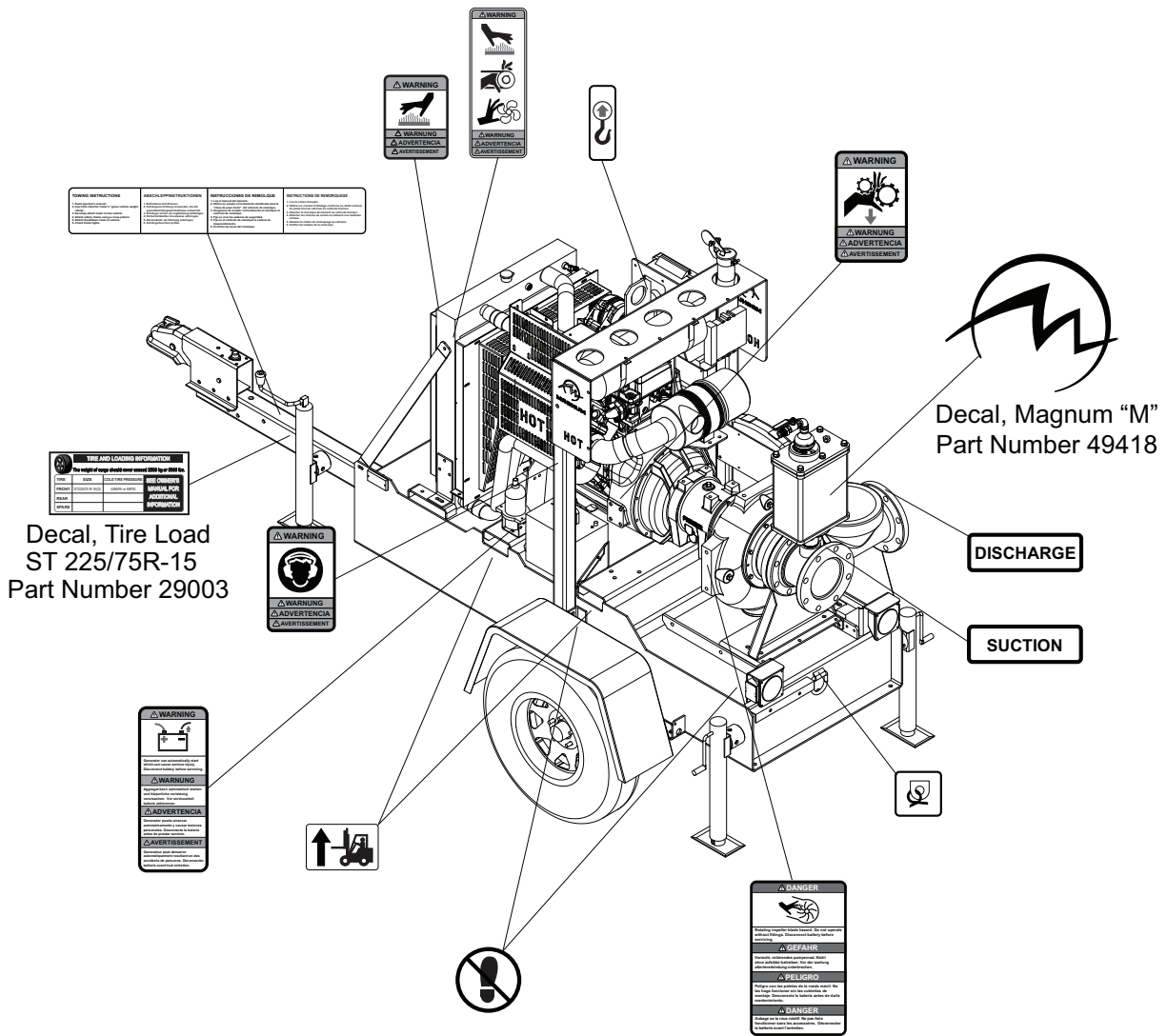
Magnum logo w/ red stripe
Part Number 11174



Magnum logo w/ web
Part Number 11275

Note: All safety and operating decals shown above are located on decal sheet 49532, unless otherwise noted.

UNIT DECALS (CONTINUED)



Decal, Tire Load
ST 225/75R-15
Part Number 29003

Decal, Magnum "M"
Part Number 49418



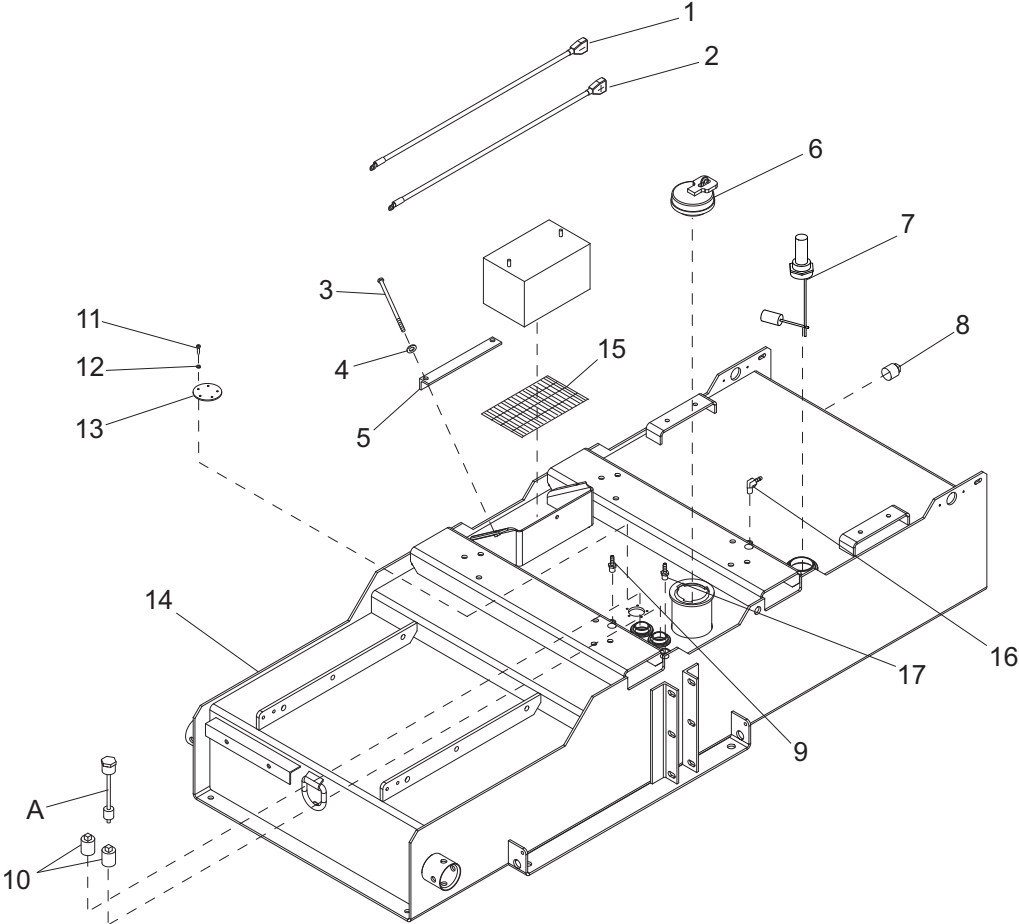
Magnum logo w/ red stripe
Part Number 11174



Magnum logo w/ web
Part Number 11275

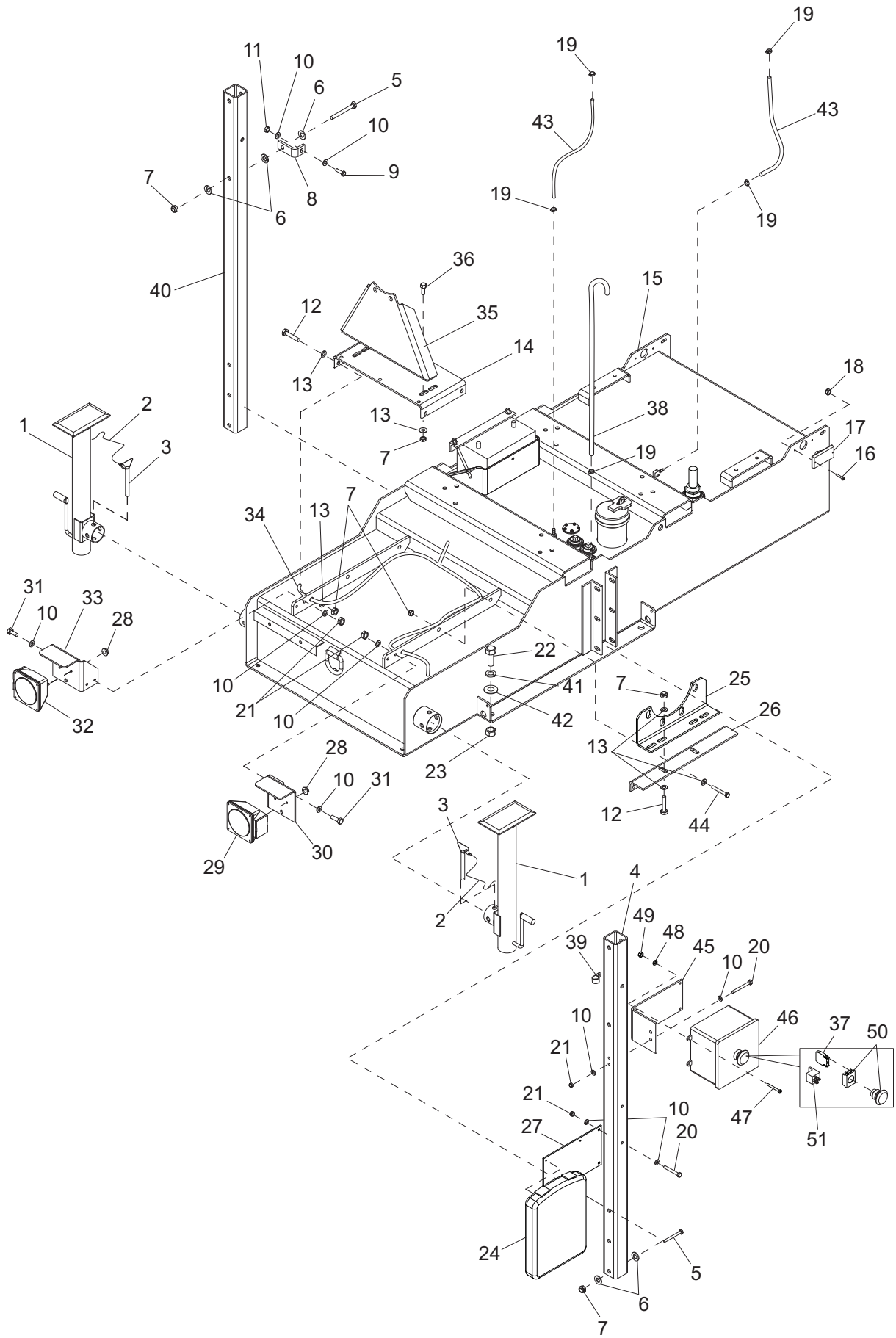
Note: All safety and operating decals shown above are located on decal sheet 49532, unless otherwise noted.

FUEL TANK ASSEMBLY



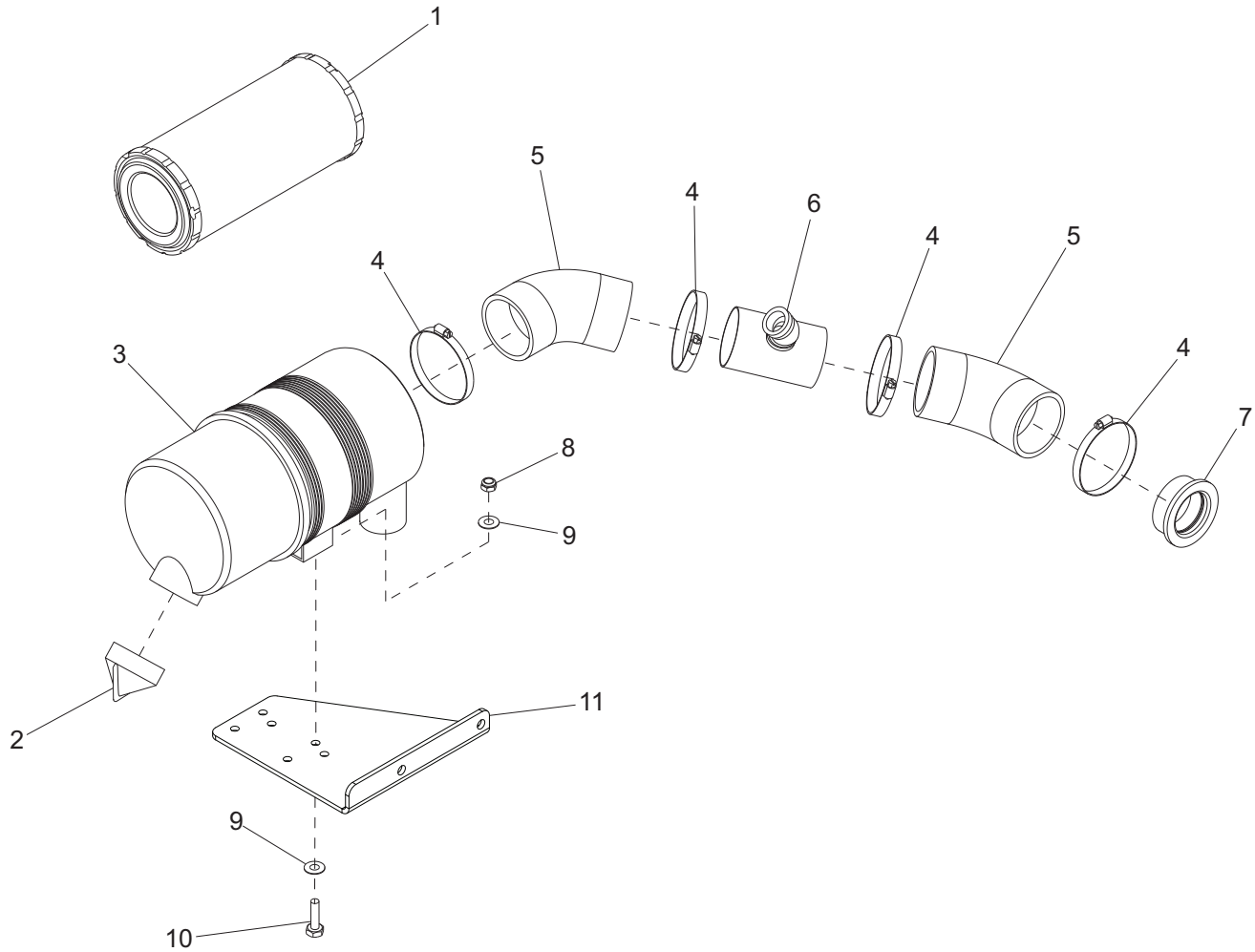
ITEM	PART NO.	QTY	DESCRIPTION	NOTES
1	65686	1	Cable, battery - black	
2	65687	1	Cable, battery - red	
3	60845	2	Screw, .312-18x7.000 hx	
4	60119	2	Washer, flat .312	
5	41055B	1	Bracket, battery tie-down	
6	23707	1	Cap, fuel fill - 3.50	
7	21129	1	Gauge, fuel - mechanical 11" GE(mid)	
8	60498	1	Plug, 1.00 NPT square drive	
9	15142	2	Fitting, .250NPT x .312 barb	
10	60988	2	Plug, 1.00 NPT square drive	
11	60156	5	Screw, M5-0.80 X 16 pan phil	
12	60043	5	Washer, M5 split lock	
13	49762B	1	Cover, fuel sender cutout	
14	41278B	1	Weldment, fuel tank/chassis	
15	41185	1	Battery pad - black pillow	
16	15693	1	Fitting, 90° elbow	
17	23816	1	Fitting, strt - .500 mnpt x .375 barb, brs	
A	65804	1	Switch, float - 12.50 N.O.	Optional: fuel transfer pump

SKID ASSEMBLY



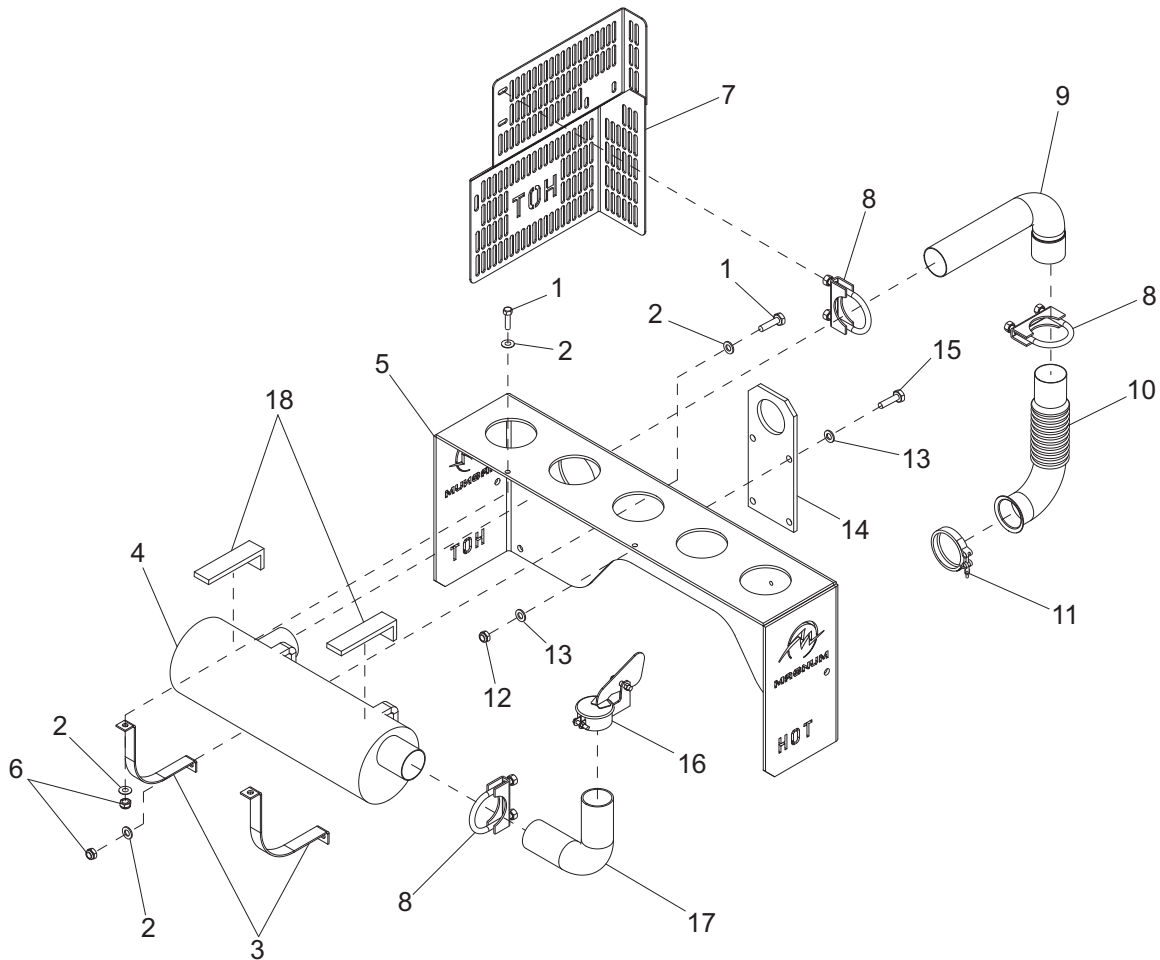
ITEM	PART NO.	QTY	DESCRIPTION	NOTES
1	41133	2	Jack, side wind tube mount	
2	23505	2	Cable, pin tether 12"	
3	23256	2	Pin, jack - tube mounted	
4	41108B	1	Tube, lift support	
5	50215	7	Screw, std hex	
6	60309	15	Washer, flat .500	
7	60307	12	Nut, .500-13 hx nylock	
8	41145B	1	Bracket, heat shield	
9	60205	1	Screw, std hex	
10	60119	6	Washer, flat .312	
11	60358	1	Nut, .375-16 hx nylock	
12	60388	7	Screw, .500-13X1.500 std hex	
13	60309	19	Washer, flat .500 SAE	
14	49337B	1	Bracket, pump mount	
15	Page 6	1	Assy, fuel tank	
16	60406	4	Screw, 8-32X1.000 pan phil	
17	65407	2	Light, amber	
18	60270	4	Nut, 8-32 hx hd nylock	
19	60777	5	Clamp, fuel hose crimp style	
20	60860	2	Screw, std hex	
21	60303	6	Nut, .312-18 hx nylock	
22	60383	4	Screw, .750-10X1.500 std hex	
23	15293	4	Nut, .750-10 hx	
24	24540	1	Holder, manual	
25	49504B	1	Bracket, volute support	
26	49503B	1	Bracket, volute support	
27	49556B	1	Bracket, manual box	
28	60144	6	Nut, .250-20 nylock	
29	65448	1	Light, stop/turn/tail rh	
30	41102B	1	Bracket, light mounting - rh	
31	60028	4	Screw, .312-18X1.000 std hex	
32	65449	1	Light, stop/turn/tail - lh	
33	41101B	1	Bracket, light mounting - lh	
34	41123	1	Harness, trailer light	
35	49357B	1	Bracket, pump mount 6.00 dry	
36	60328	2	Screw, std hex	
37	65584	1	Block, E-stop contactor NO/NO	
38	50343	3.16 ft.	Hose, fuel - clear vinyl	
39	15627	3	Clamp, tubing - heavy duty	
40	41301B	1	Tube, lift support	
41	60248	4	Washer, split lock - .750	
42	60247	4	Washer, flat - .750	
43	50018	2	Hose, fuel - .312 ID 50 psi	3 ft. each
44	60484	2	Screw, .500-13X2.000 std hex	
45	49554B	1	Bracket, E-stop box	
46	49552	1	Box, modified - MTP E-stop	
47	60244	4	Screw, 8-32 x .750 pan phil G2	
48	60252	4	Washer, #10 split lock	
49	60318	4	Nut, 8-32 hex G5	
50	65470	1	Switch, E-stop operator	
51	66455	1	Relay, 12V 70A NC/80A NO w/diode	

AIR FILTER ASSEMBLY



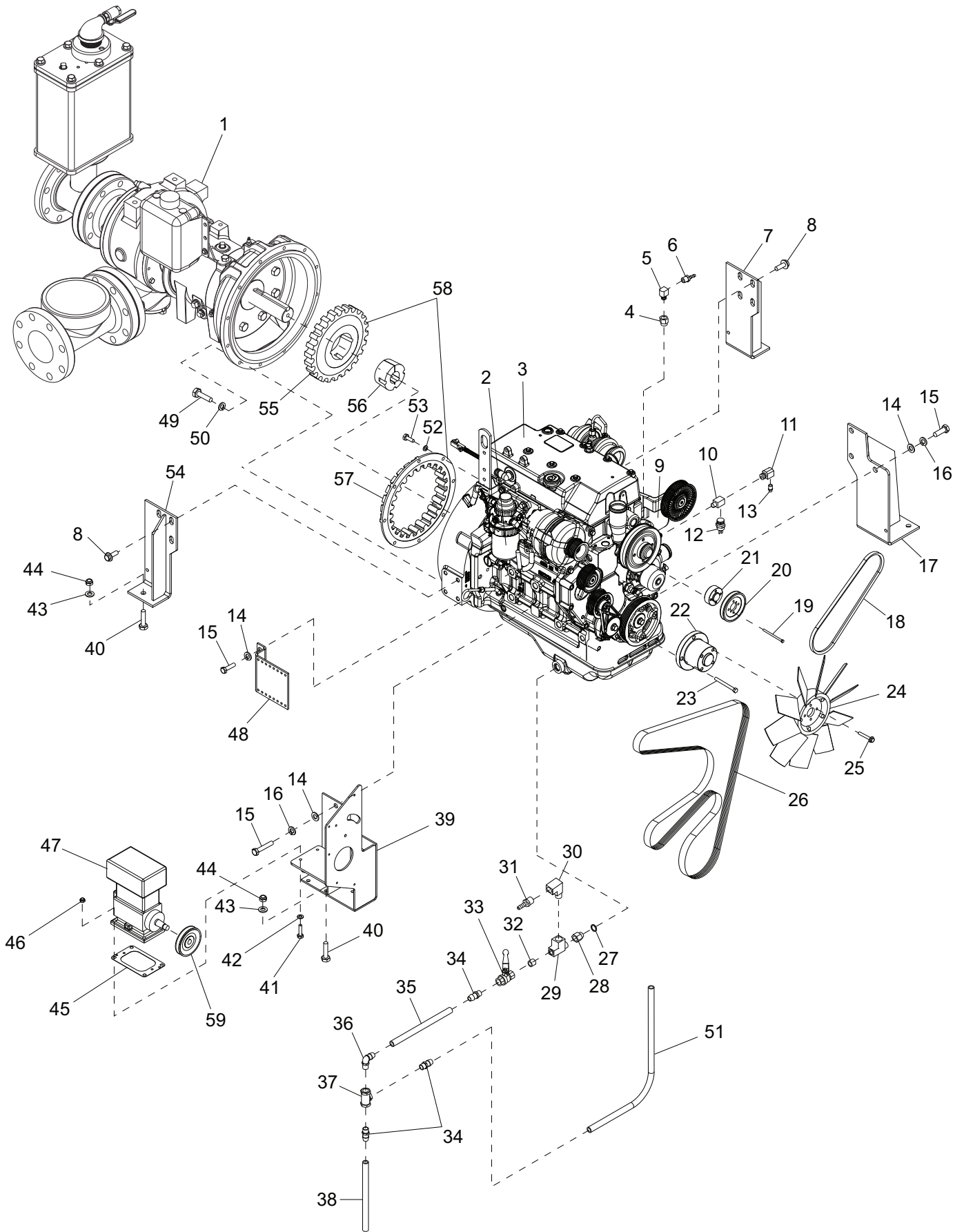
ITEM	PART NO.	QTY	DESCRIPTION	NOTES
1	22874	1	Element, air filter	
2	19277	1	Cap, dust ejector	
3	22967	1	Filter, air	
4	18663	4	Clamp, hose - (3.31-4.25)	
5	41050	2	Elbow, 45 molded rubber	
6	41565B	1	Weldment, air intake tube	
7	22872	1	Insert, air hose reducer	
8	60303	2	Nut, .312-18 hx nylock	
9	60119	4	Washer, flat .312	
10	60028	2	Screw, hx hd	
11	40995B	1	Bracket, air filter	

EXHAUST SYSTEM ASSEMBLY



ITEM	PART NO.	QTY	DESCRIPTION	NOTES
1	60352	4	Screw, hx hd	
2	60386	8	Washer, flat .375	
3	41082B	2	Bracket, muffler	
4	22670	1	Muffler, residential	
5	41068R	1	Bracket, lift support	
6	60358	4	Nut, .375-16 hx nylock	
7	41023R	1	Plate, heat shield	
8	61028	3	Clamp, muffler - 2.50	With hardware
9	41117B	1	Pipe, exhaust - upper	
10	41148B	1	Pipe, exhaust - lower	
11	22712	1	Clamp, 2.75" v-band	
12	60307	4	Nut, .500-13 hx nylock	
13	60309	8	Washer, flat .500 SAE	
14	41080B	1	Bracket, lift eye	
15	60484	4	Screw, hx hd	
16	25647B	1	Cap, rain 2.50	
17	41132B	1	Pipe, exhaust - 90°	
18	41083B	2	Spacer, muffler	

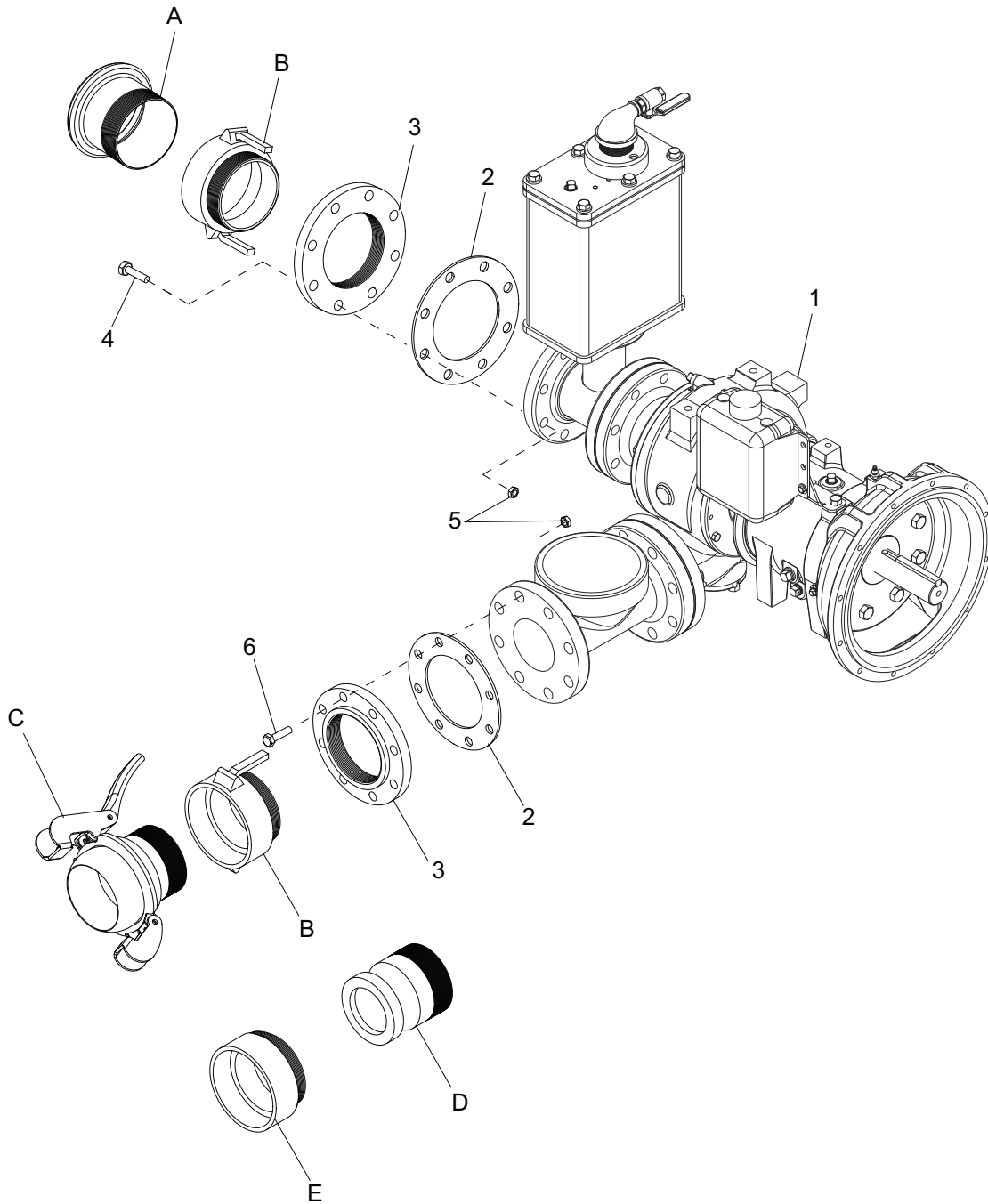
ENGINE ASSEMBLY



ITEM	PART NO.	QTY	DESCRIPTION	NOTES
1	49263B	1	Pump, trash - 6.00 dry prime	
2	29488	1	Fuel filter element	
3	29776	1	Engine, Deere 4024HF285 2800rpm	
4	61033	1	Fitting, strt-.375 fnpt x M18 x 1.500 o-ring	
5	15396	1	Fitting, 90-.375mnpt x .375fnpt brs	
6	25931	1	Fitting, strt-.375 npt x .625 barb	
7	41072B	1	Weldment, engine mount - rear lh	
8	60065	8	Screw, M12-1.75 x 40 sflg hex	
9	29487	1	Filter, oil - 4024/5030	
10	60735	1	Fitting, strt-.125 npt tee brs	
11	60734	1	Fitting, 90-.125 mnpt x .125 fnpt brs	
12	49557	1	Sensor, oil pressure	
13	61073	1	Fitting, strt-.125 mnpt x .250 mjic brs	
14	60193	8	Washer, M16 flat	
15	60489	8	Screw, M16-2.00 x 40 std hex	
16	60194	6	Washer, M16 split lock	
17	41113B	1	Weldment, engine mount - lh	
18	41291	1	Belt, v-b-section (compressor drive)	
19	60463	4	Screw, M8-1.25 x 50 soc hex	
20	41384	1	Scheave, modified	
21	41377	1	Spacer, pulley	
22	41048	1	Spacer, fan - MTP JD4024	
23	60859	4	Screw, M10-1.50 x 45 soc hex	
24	41121	1	Fan, pusher - 18.00 cw	
25	60160	4	Screw, M8-1.25 x 30 sflg hex	
26	24845	1	Belt, fan	
27	19467	1	Seal, M22	
28	19307	1	Fitting, strt -.500 fnpt x M22 x 1.500 brs	
29	61030	1	Fitting, tee - .500 npt street brs	
30	60998	1	Fitting, 90-.500 mnpt x .500 fnpt brs	
31	23816	1	Fitting, strt-.500 mnpt x .375 barb, brs	
32	60438	1	Fitting, nipple, pipe -.500 npt x close	
33	60985	1	Valve, ball .500nptf pad-locking	
34	41167	3	Fitting, strt-.500 npt x .750 barb bk nyl	
35	50332	0.62 ft.	Hose, fuel - .750 ID 35 psi	
36	41168	1	Fitting, 90-.500 npt x .750 barb bk nyl	
37	60986	1	Fitting, tee-.500 fnpt polyprop	
38	50332	1.16 ft.	Hose, fuel - .750 ID 35psi	
39	49336B	1	Weldment, engine mount - rh compr	
40	60388	6	Screw, .500-13 x 1.500 std hex	
41	60139	4	Screw, .375-16 x 1.500 std hex	
42	60119	4	Washer, .312 flat .875/.070	
43	60309	6	Washer, .500 flat 1.060/.090	
44	60307	6	Nut, .500-13 nytk	
45	49421	1	Gasket, compressor base	
46	60358	4	Nut, .375-16 nytk	
47	Page 22	1	Air Compressor Assembly	
48	41416B	1	Bracket, hose	
49	60215	12	Screw, M10-1.50 x 35 std hex	
50	60026	12	Washer, M10 split lock	
51	50332	3.08 ft.	Hose, fuel - .750 ID 35 psi	
52	60206	8	Washer, .375 split lock hardened	
53	60205	8	Screw, .375-16 x 1.000 std hex	
54	41071B	1	Weldment, engine mount - rear rh	
55	41192	1	Coupling rubber driver	
56	49685	1	Bushing 2517 (hub)	

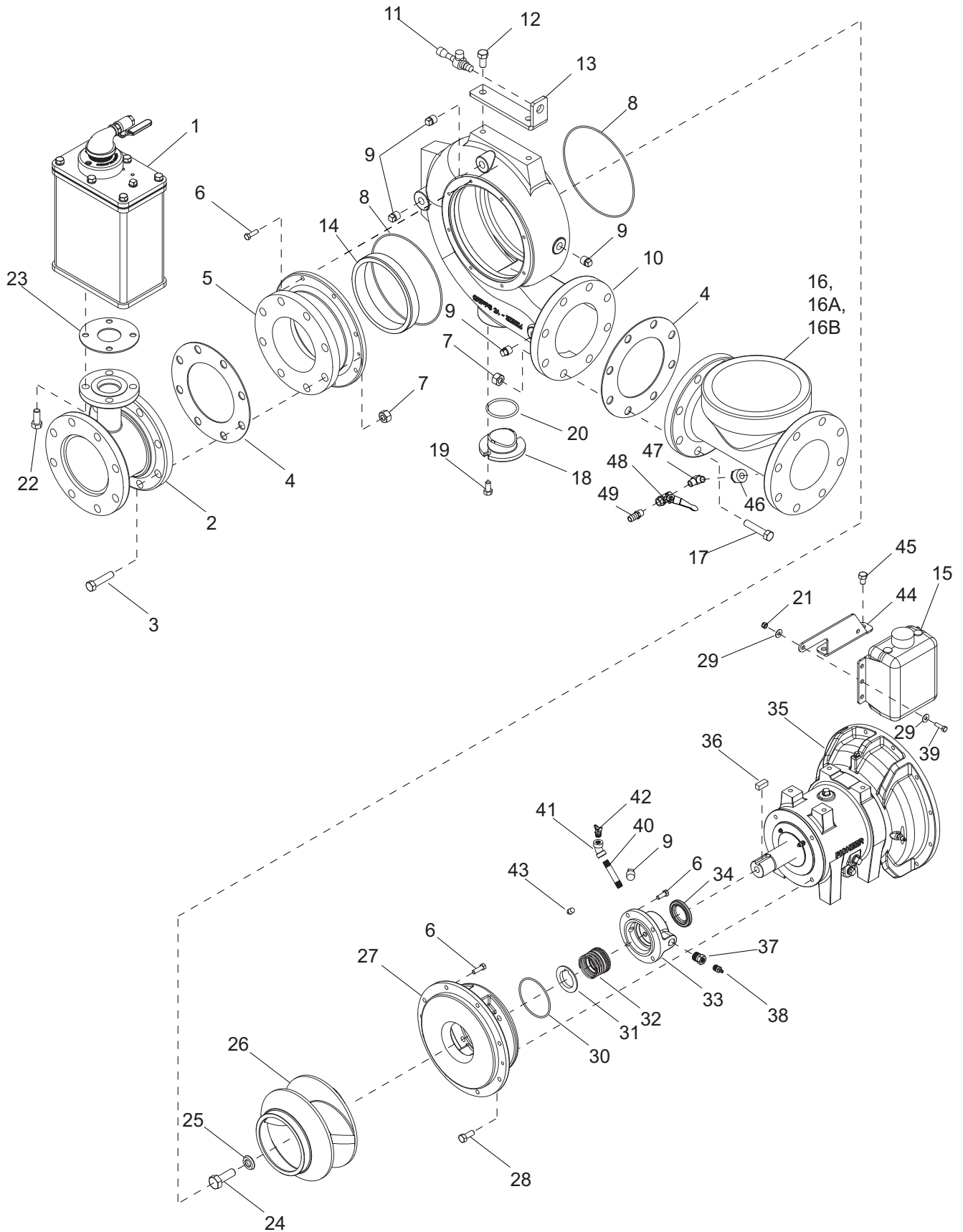
ITEM	PART NO.	QTY	DESCRIPTION	NOTES
57	41191	1	Coupling flywheel ring	
58	41193	1	Coupling flywheel ring & rubber driver	
59	49339	1	Sheave, air compressor drive	

INLET & OUTLET FITTINGS



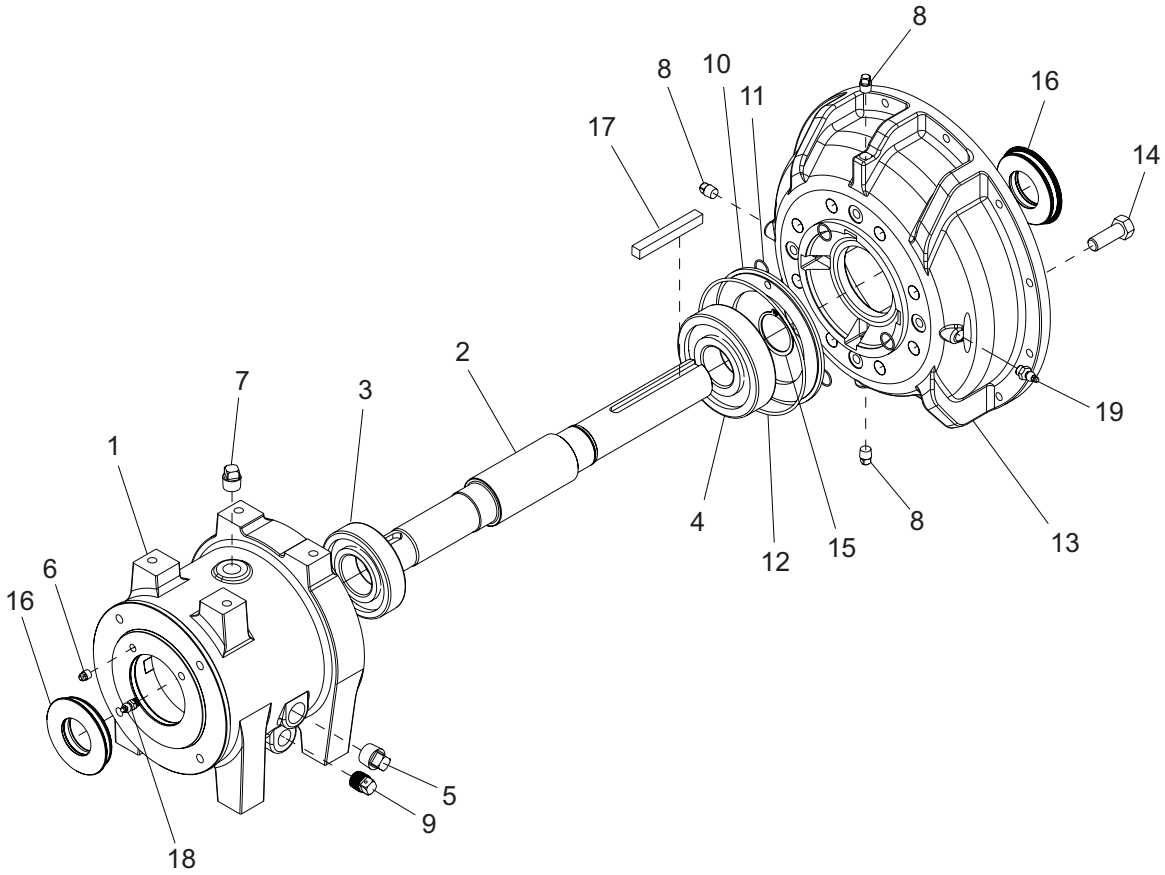
ITEM	PART NO.	QTY	DESCRIPTION	NOTES
1	49263B	1	Pump, trash - 6.00 dry prime	See breakdown on page 16
2	41061	2	Gasket, pump flange - 6.00	
3	41306B	2	Flange, 6.00 npt female - ANSI 150lb	
4	61076	16	Screw, .750-10X3.000 std hex G5	
5	61077	16	Nut, .750-10 jam G2 thin	
A	41327	1	Socket - male galv	Optional
B	41329	2	Cam & groove - coupler	Optional
C	41325	1	Ball & lock ring - galv	Optional
D	41587	2	Cam & groove - coupler	Optional
E	41556B	1	Weldment, pump fitting	Optional

PUMP ASSEMBLY



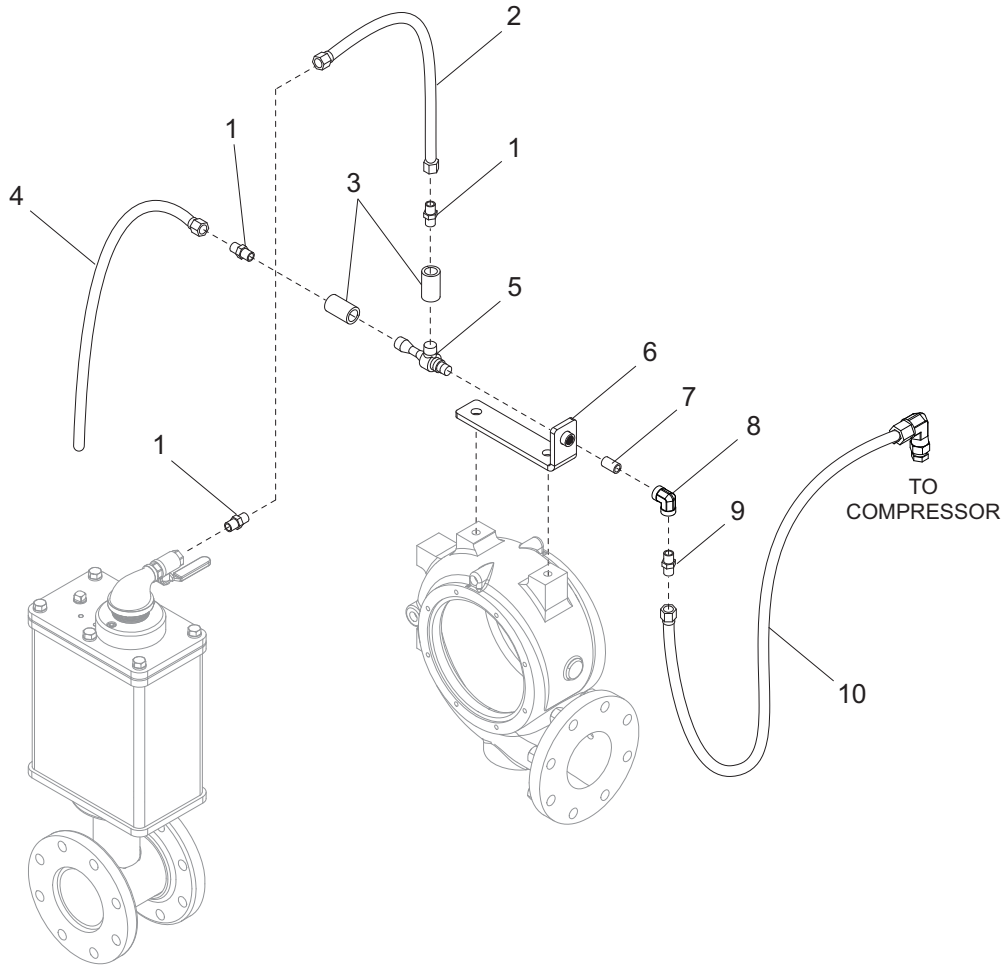
ITEM	PART NO.	QTY	DESCRIPTION	NOTES
1	49837	1	Priming chamber assembly	See breakdown on page 20
2	49838	1	6" spool w/2" flange	
3	30801	8	Bolt .62-11unc x 2.75	
4	49406	2	Gasket-31813102	
5	49404	1	Suction cover	
6	49570	20	Bolt .38-16unc x 1.00	
7	30802	16	Nut hvy hex .62-11 unc stl pl	
8	43672	2	O-ring inspect cover 30103273	
9	49658	5	NPT pipe plug, square head, 1/2"	
10	49405B	1	Volute-110042628	
11	49572	1	Air eductor	
12	30804	2	Bolt 0.625-11 x 1.25 x 1.25 - n	
13	30803	1	Bracket, jet pump 3/8 NPT	
14	49403	1	Wear ring - 6.00	
15	49585	1	Reservoir, seal oil (poly 3qt)	
16	49409	1	6" check valve	
16A	49844	1	Flap valve, 6"	
16B	49853	1	O-ring, 6"	
17	30801	8	Bolt .62-11unc x 3.00	
18	49407	1	Clean-out cover	
19	49566	2	Bolt .50-13unc x 1.00	
20	49381	1	O-ring	
21	49581	2	Nylon insert locknut, 5/16-18 unc	
22	49840	4	Bolt .62-11unc x 1.50 G5 pl	
23	49839	1	Gasket flg 2" 1/8 ff sbr 70d	
24	49842	1	Imp screw .75-10unc 2.25 316	
25	49400	1	Impeller washer	
26	49788	1	Impeller	
27	49408	1	Brac-plate	
28	49563	4	Bolt .50-13UNC x 1.00	
29	49580	4	Washer flat .31	
30	49383	1	O-ring	
31	49382	1	Spring guide	
32	49384	1	Mechanical seal	
33	49387	1	Seal gland	
34	49386	1	Lip seal	
35	49385	1	Bearing frame	
36	30805	1	Key	
37	49563	1	Pipe bushing 1/2 x 1/4	
38	49562	1	Fitting 1/4 mpt x 1/4 hose barb	
39	49584	2	Bolt .31-18unc x 1.25 G5 pl	
40	49577	1	Nipple 1/4" npt x 3.0	
41	49578	1	Elbow 1/4" npt 45 degree	
42	49579	1	Valve 1/4" petcock	
43	49575	1	NPT pipe plug, square head, 1/4"	
44	49582	1	Bracket, reservoir (poly 3qt)	
45	49583	2	Bolt .50-13unc x .75 G5 pl	
46	63117	1	Fitting, strt - 1.00 mnpt x .375 fnpt	
47	23069	1	Fitting, 90 - .375 mnpt brs	
48	19280	1	Valve, ball .375 fnpt	
49	25931	1	Fitting, strt - .375 npt x .625 barb	
--	49388	*	Impeller shim	As required, not shown
--	49389	*	Impeller shim	As required, not shown
--	49390	*	Impeller shim	As required, not shown

BEARING FRAME ASSEMBLY



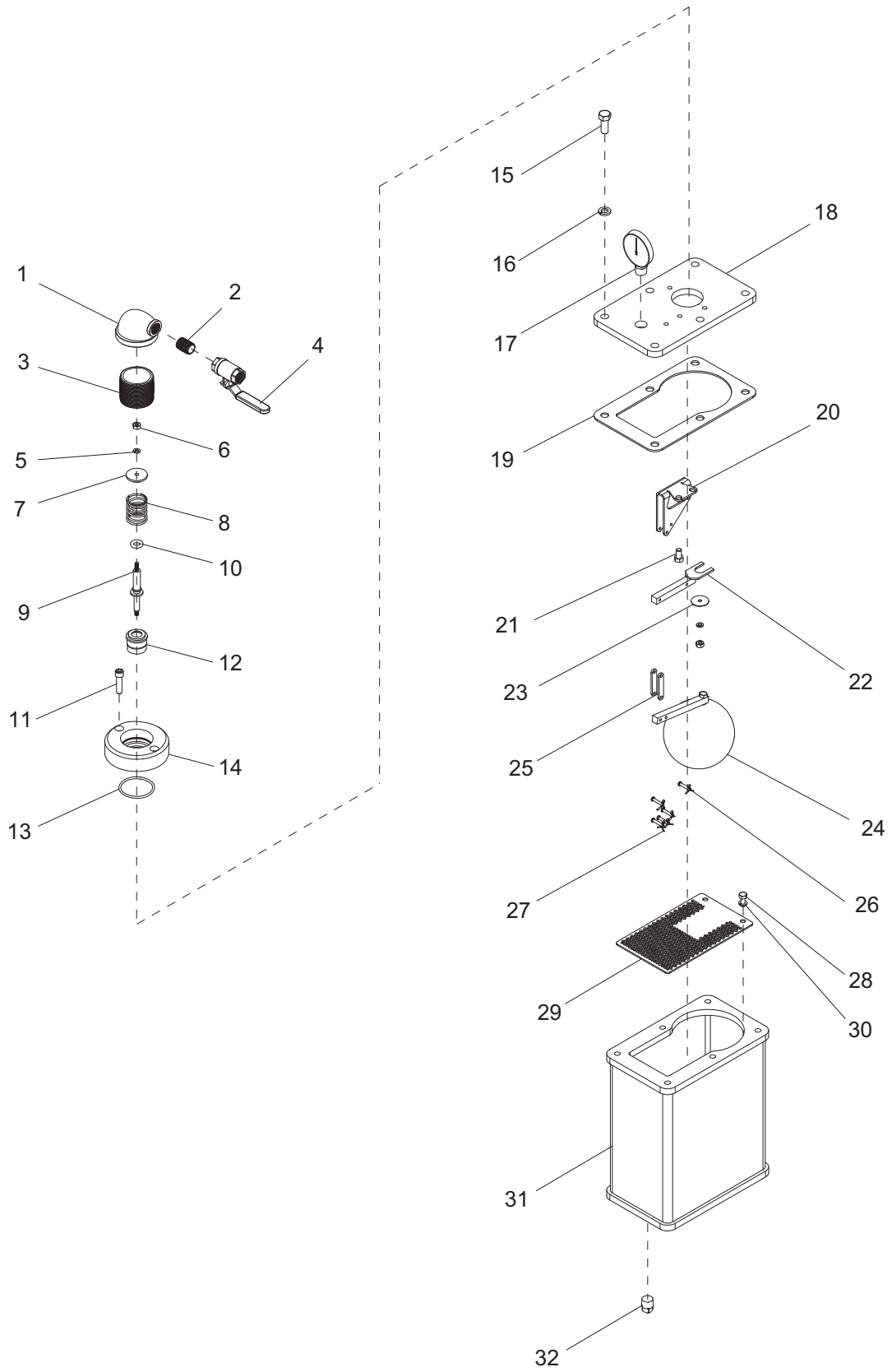
ITEM	PART NO.	QTY	DESCRIPTION	NOTES
1	30798	1	Gear case	
2	30799	1	Shaft	
3	49588	1	Seal	
4	49589	1	Seal	
5	30800	1	Plug	
6	49591	1	Plug	
7	49658	1	Plug	
8	49575	3	Plug	
9	41870	1	Plug	
10	30797	1	Ring	
11	49596	4	O-ring	
12	49597	1	O-ring	
13	49598	1	Bellhousing	
14	49599	8	Bolt	
15	49600	1	Retaining Ring	
16	49601	2	Thrust washer	
17	49602	1	Key	
18	49603	1	Plug	
19	49604	1	Grease fitting	
--	49385	1	Bearing Frame Assembly	Items 1 - 19

AIR EDUCTOR KIT



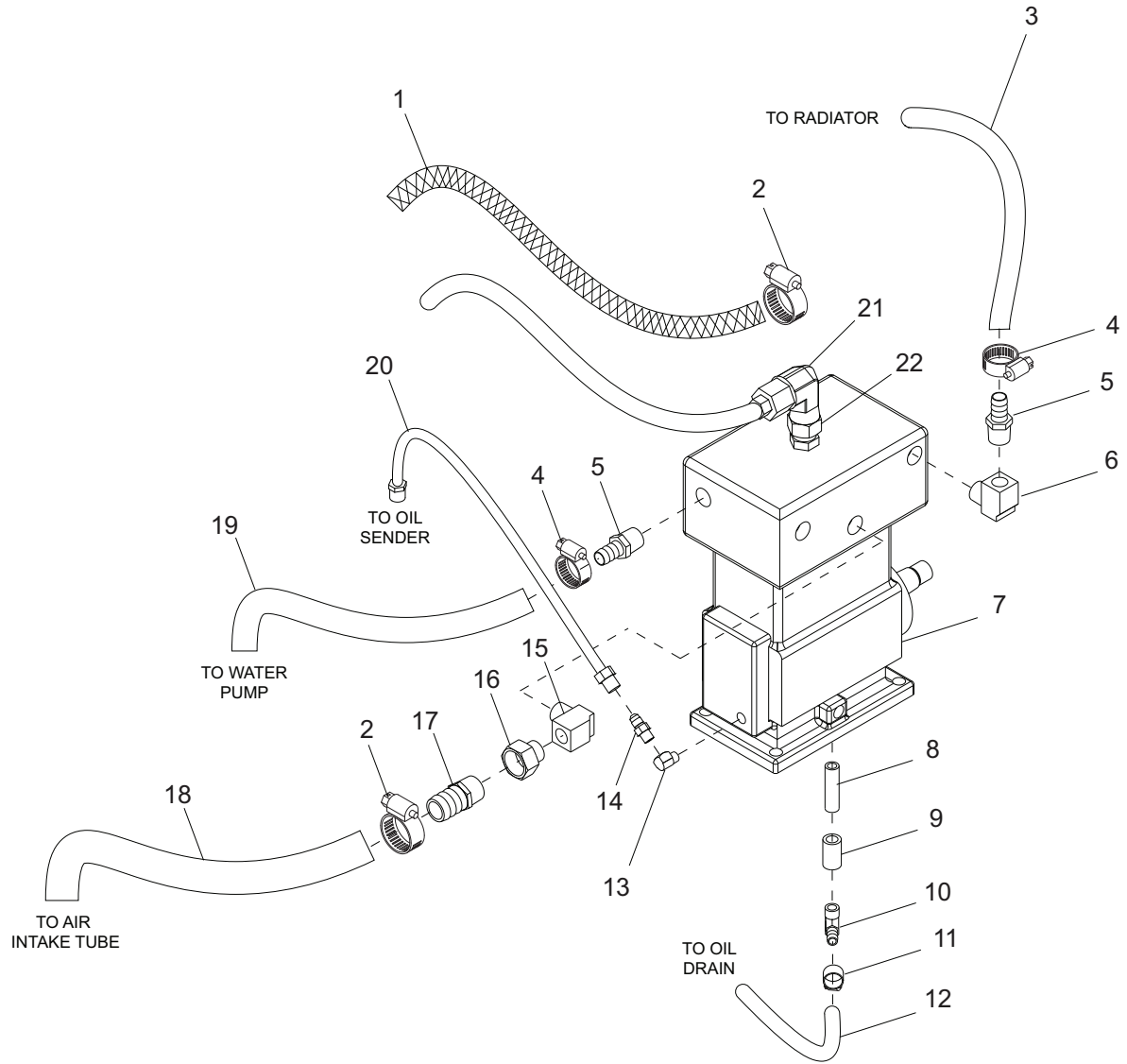
ITEM	PART NO.	QTY	DESCRIPTION	NOTES
1	49724	3	Fitting, 1/2NPT - 3/4 JIC	
2	49725	1	Hose assembly 3/4" pipe x 19"	
3	49726	2	Coupling 1/2NPT x 1/2NPT	
4	49727	1	Hose assembly 3/4" pipe x 58" lg	
5	49572	1	Air eductor	
6	49571	1	Bracket, air eductor 3/8NPT	
7	49728	1	Nipple, 3/8NPT	
8	49729	1	Elbow, 3/8NPT 90 deg	
9	49730	1	Fitting, 3/8NPT - 3/8 JIC	
10	49731	1	Hose assembly 3/8 braid pipe x 58"	
--	49732	1	Air eductor kit	Items 1 - 10

PRIMING CHAMBER ASSEMBLY



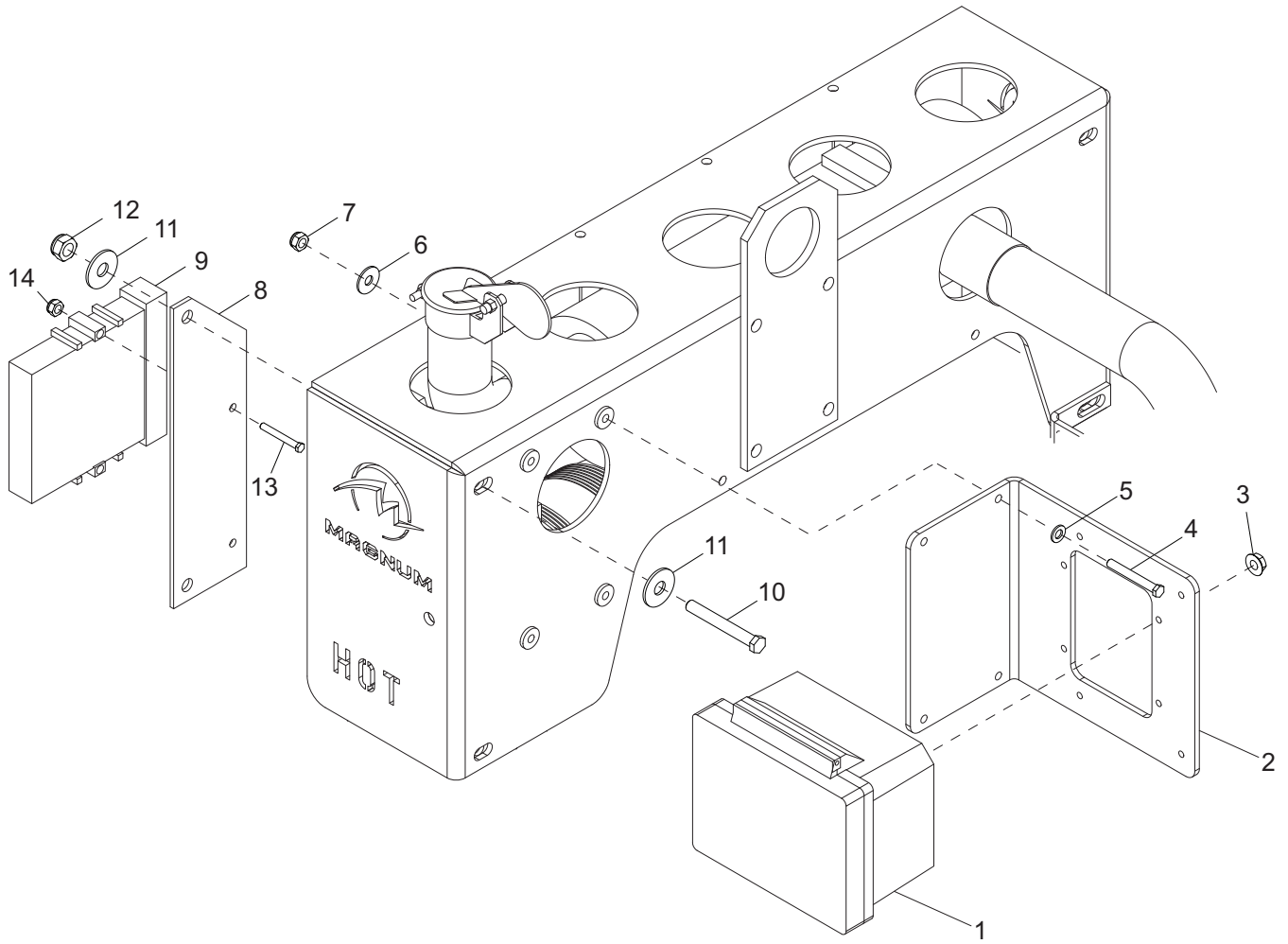
ITEM	PART NO.	QTY	DESCRIPTION	NOTES
1	49643	1	Elbow, 2" x 1/2" NPT 90°	
2	49644	1	Nipple 1/2" NPT x close	
3	49645	1	Nipple 2.0" NPT x close	
4	46946	1	Valve 1/2" bronze ball	
5	49647	2	Washer, split lock .25 304SS	
6	49648	2	Nut, hvy machine .25-20 304SS	
7	49649	1	Valve washer	
8	49650	1	Spring, 2" long x 1.46 OD	
9	49651	1	Valve stem 304SS	
10	49652	1	O-ring, 2-310 Viton	
11	49653	2	Bolt, soc hd .38-16UNC x 1.5 304SS	
12	49654	1	Valve seat	
13	49655	1	O-ring 2-228 Viton	
14	49656	1	Valve adapter	
15	49561	6	Bolt, .50-13UNC x 1.25 G5 PL	
16	49657	6	Washer, split lock .50 STLPL	
17	49420	1	Gauge, vacuum	
18	49659	1	Lid, priming chamber	
19	49660	1	Gasket, priming chamber lid	
20	49661	1	Bracket, linkage 304SS	
21	49662	2	Bolt, .38-16UNC x .63 304SS	
22	49663	1	Linkage, upper arm	
23	49664	1	Washer, fender .25x1.25OD 304S	
24	49665	1	Float ball and arm	
25	49666	2	Link, upeer and lower arm	
26	49667	5	Clevis pin, .187 dia.x1.0 304SS	
27	49668	5	Cotter pin, .094 dia.x.50 304SS	
28	49669	2	Bolt, .31-18UNC x .75	
29	49670	1	Strainer plate	
30	49671	2	Washer, split lock .31 304SS	
31	49672	1	Priming chamber	
32	49673	1	Gasket flg 2"x1/8 FF SBR70d	
33	49674	4	Bolt, .62-11UNC x 1.50 G5 PL	
34	49675	1	Flange companion 2" CI	
35	49676	1	Nipple 2.0" NPT x 4.50	
36	49658	1	NPT pipe plug, square head, 1/2"	
--	49399	1	Priming chamber assembly	


PUMP AIR COMPRESSOR ASSEMBLY



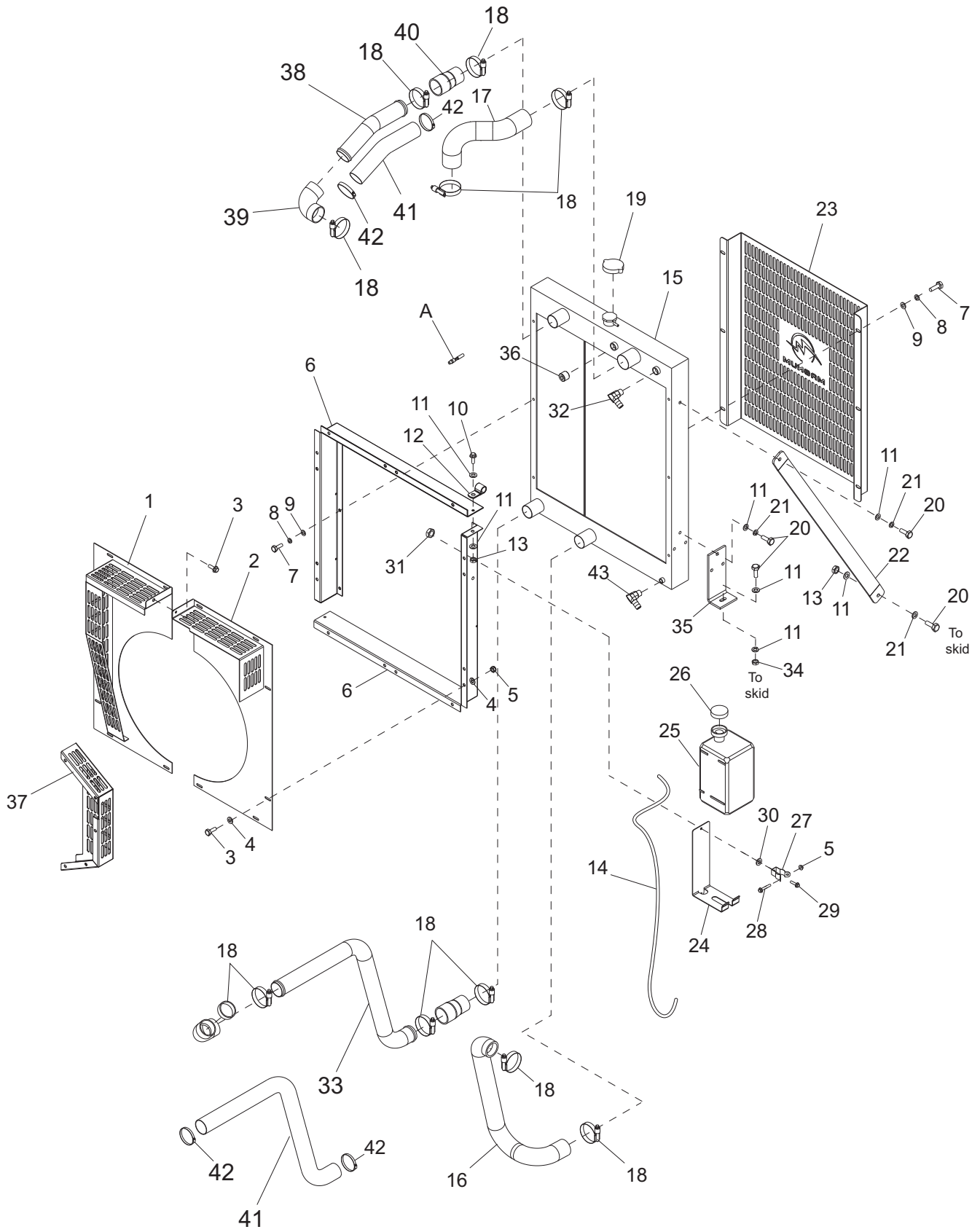
ITEM	PART NO.	QTY	DESCRIPTION	NOTES
1	26477	5.00 ft.	Sleeve, high temp - 1.00	
2	19338	4	Clamp, hose - SAE 016 (.68-1.50)	
3	50201	2.83 ft.	Hose, .625 Horizon 200 PSI class A	
4	60365	4	Clamp, hose - SAE 010 (.56-1.06)	
5	60502	2	Fitting, str-.500MNPTX.625 barb brs	
6	60998	1	Fitting, 90-.500MNPTX.500FNPT brs	
7	49267	1	Compressor, air - Bendix TF-550108112	
8	61067	1	Fitting, nipple, pipe-.250NPTX2.000 GV	
9	61068	1	Fitting, strt -.250FNPT coupler GV	
10	20645	1	Fitting, 90-.250NPTX.375 barb brs	
11	14216	2	Clamp, hose - SAE 004 (.21-.62) mini	
12	50051	.85 ft	Hose, fuel - .375 ID 50 PSI SAE 30R7	
13	60734	1	Fitting, 90-.125MNPTX.125FNPT brs	
14	61073	1	Fitting, strt-.125MNPTX.250MJIC brs	
15	60998	1	Fitting, 90-.500MNPTX.500FNPT brs	
16	22461	1	Fitting, strt-.500MNPTX.750FNPT brs	
17	25496	1	Fitting, strt-.750MNPTX1.000 barb	
18	50019	2.75 ft.	Hose, fuel - 1.00 SAE 20R3 D-2	
19	50201	5.16 ft.	Hose, .625 Horizon 200 PSI class A	
20	41420	1	Hose, oil supply .25 IDx50.00 300PSI .25FJIC	
21	49792	1	Fitting, 90° SAE12 MJICx12 FJIC	
22	63181	1	Fitting, strt-.500MNPTX.75 37DEG JIC	

CONTROL BOX ASSEMBLY



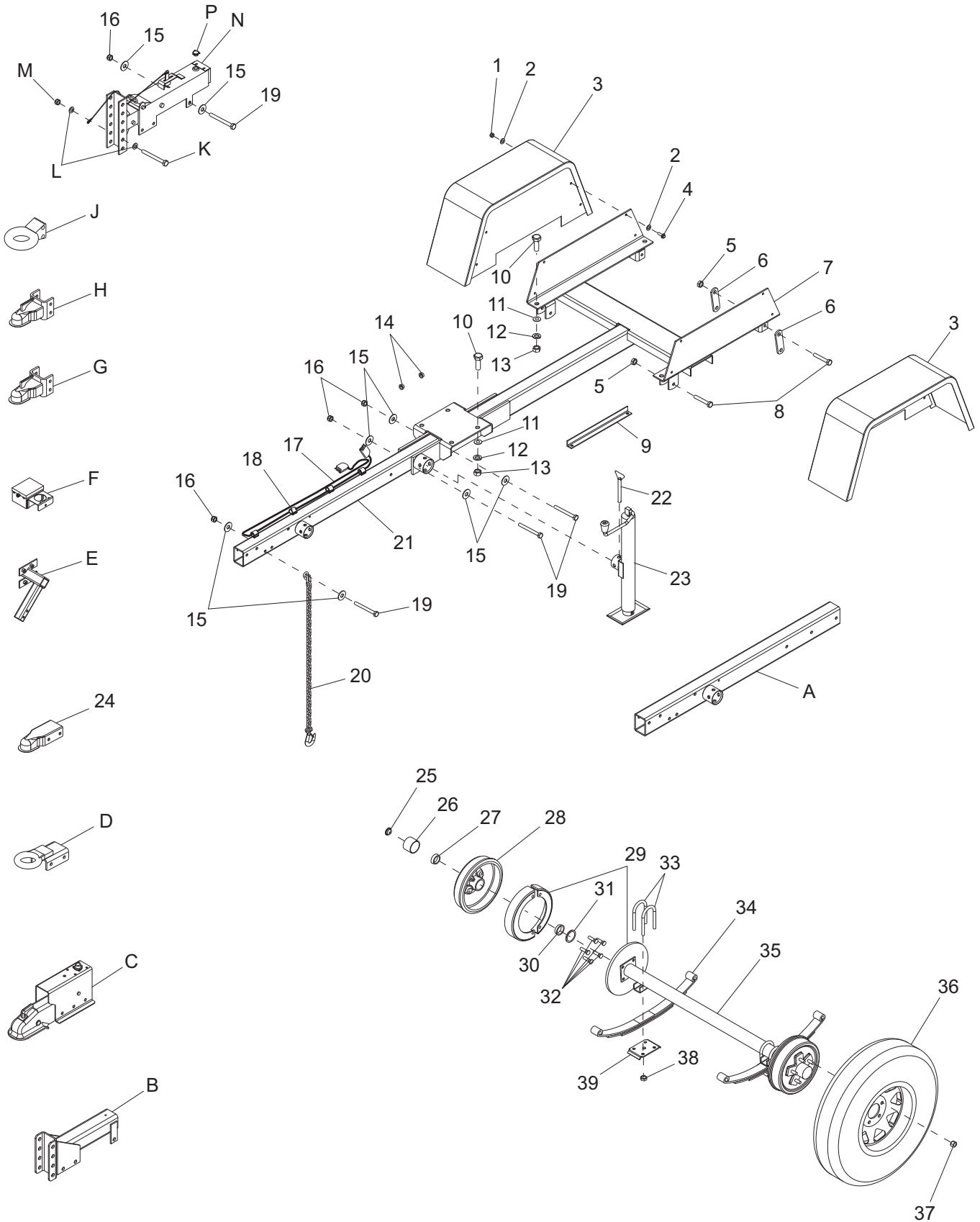
ITEM	PART NO.	QTY	DESCRIPTION	NOTES
1	49501	1	Control box assy - w/ controller	
2	49494B	1	Bracket, control box mounting	
3	-	4	Nut	Included with P/N 49501
4	62001	4	Screw, .312-18 x 1.250 std hex	
5	60119	4	Washer, .312 flat .875/.070	
6	60729	4	Washer, .375 fndr 1.500/.090	
7	60303	4	Nut, .312-18 nylock	
8	29776	1	Bracket, ECU mounting	
9	-	1	Engine Control Unit (ECU)	
10	50215	2	Screw, .500-13 x 4.00 std hex	
11	60309	4	Washer, .500 flat 1.060/.090	
12	60307	2	Nut, .500-13 nyk G2	
13	60403	2	Screw, .312-18 x 2.000 std hex	
14	60303	2	Nut, .312-18 nyk G2	

COOLING SYSTEM ASSEMBLY



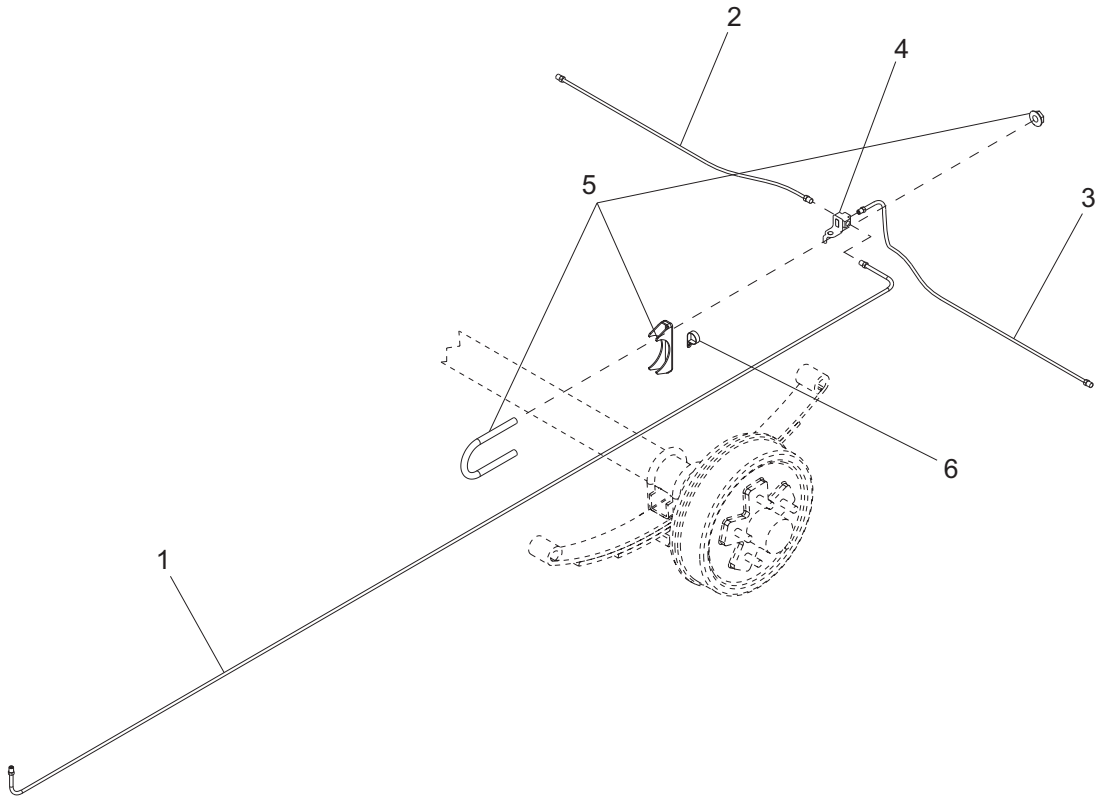
ITEM	PART NO.	QTY	DESCRIPTION	NOTES
1	49481B	1	Welement, fan guard - lh	
2	49480B	1	Welement, fan guard - rh	
3	60393	13	Screw, hx hd	
4	60243	28	Washer, flat .250	
5	60144	13	Nut, .250-20 nylock	
6	49473B	2	Radiator shroud	
7	60028	12	Screw, hx hd	
8	60271	12	Washer, split lock .312	
9	60119	12	Washer, flat .312	
10	60352	2	Screw, hx hd	
11	60386	20	Washer, flat .375	
12	16143	1	Clamp, tubing - .500	
13	60358	2	Nut, .375-16 hx nylock	
14	50018	3.5 ft.	Hose, fuel .312 ID 50 psi	
15	49430	1	Radiator	
16	49433	1	Hose, lower radiator	
17	41045	1	Hose, upper radiator	
18	60660	12	Clamp, hose - constant trq	
19	19219	1	Cap - radiator pressure small - 14 psi	
20	60205	12	Screw, hx hd	
21	60206	8	Washer, split lock .375	
22	49734B	2	Strut, radiator support	
23	49484R	1	Guard, rock	
24	41206B	1	Bracket, overflow jug	
25	41958	1	Jug, overflow 3.5 qt	
26	19714	1	Cap, overflow jug	
27	19726	1	Clamp, overflow jug	
28	60414	1	Screw, hx hd	
29	60062	2	Screw, pan hd phil	
30	60237	2	Washer, flat SAE #10	
31	60061	2	Nut, 10-32 hx nylock	
32	61014	1	Fitting, 90-.500 mnpt x .625 barb brs	
33	49432BH	1	Pipe, c.a.c. out - MTP	
34	60140	2	Nut, .375-16 hex	
35	49475B	2	Bracket, radiator mounting	
36	18394	1	Fitting, plug - .500NPT x internal hex	
37	49361B	1	Guard, belt	
38	49471BH	1	Pipe, c.a.c. in - MTP	
39	27775	2	Hose, c.a.c. - 2.00 x 90°	
40	27993	2	Hose, c.a.c. - 1.75-2.00 x 4.00 long	
41	26478	4 ft.	Sleeve, high temp - 2.00	
42	60316	4	Clamp, hose - SAE 032 (1.56-2.50)	
43	63176	1	Fitting, radiator drain	
A	65592	1	Sensor, low coolant	

TRAILER ASSEMBLY



ITEM	PART NO.	QTY	DESCRIPTION	NOTES
1	60140	8	Nut, .375-16 hx hd	
2	60386	16	Washer, flat .375	
3	22743B	2	Fender, single wheel	
4	60179	8	Screw .375-16X.750 hx hd	
5	60504	6	Nut, hx shackle lock	
6	19637	4	Plate, shackle bracket	
7	24811B	1	Weldment, trailer chassis	
8	60503	6	Screw, .562-18 hx shackle	
9	24691B	1	Brace, tongue shipping	
10	60383	6	Screw, hx hd	
11	60247	6	Washer, flat .750	
12	60248	6	Washer, split lock .750	
13	15293	6	Nut, .750-10 hx	
14	22340	2	Bushing, 1.00 OD X .75 ID	
15	60309	14	Washer, flat .500	
16	60307	7	Nut, .500-13 hx nylock	
17	23205	1	Harness, trailer	
18	61010	7	Clamp, tubing - heavy duty	
19	60659	7	Screw, hx hd	
20	23367	2	Chain, safety	
21	24812B	1	Weldment, flip tongue	
22	23256	1	Pin, jack - tube mounted	
23	13051	1	Jack assy, top wind	
24	15103	1	Coupler, 2" ball/3" channel	
25	11254	2	Plug, grease cap - for zerk	
26	23170	2	Cap, grease - w/ rubber plug	
27	24831	2	Roller bearing - outer	
28	26452	2	Brake drum - 12" 6 on 5.5"	
29	26572	2	Surge brake assy, RH	
	26571	2	Surge brake assy, LH	
	26574	2	Electric brake assy, RH	Option: electric brake
	26573	2	Electric brake assy, LH	Option: electric brake
30	24830	2	Roller bearing - inner	
31	24832	2	Bearing seal axle	
32	60963	12	Stud, wheel - axle	
33	40875	4	U-bolt	
34	23912	2	Spring, 5000lb axle	
35	22877	1	Axle, 5000#, hydraulic	
	22876	1	Axle, 5000#, electric	Option: electric brake
36	18377	2	Wheel, ST225/75R15	
37	60096	12	Nut, .500-20 wheel lug	
38	26441	8	U-bolt nut, 1/2-20 plated	
39	40874	2	Tie plate	
A	24824B	1	Weldment, flip tongue	Option: adj. actuator/elec brakes
B	19379B	1	Weldment, hitch elec.	Option: electric brake
C	24304	1	Actuator, hyd srg brk - 2"ball	Option: 2" ball
D	11032	1	Weldment, lunette ring - 3"	Option: 3" ring
E	12235B	1	Weldment, spare tire holder	Option: spare tire holder
F	19417	1	Breakaway Kit	Option: breakaway kit
G	19518	1	Coupler, 2" ball for adj hitch	Option: 2" ball adjustable hitch
H	19519	1	Coupler, 2.31 ball	Option: 2.31" ball
J	19335B	1	Coupler, lunette ring - 3" adj	Option: 3" ring adjustable hitch
K	60239	2	Screw, hx hd	Option: adjustable hitch
L	60180	4	Washer, flat .625	Option: adjustable hitch
M	60240	2	Nut, .625-11 hx nylock	Option: adjustable hitch
N	40529	1	Actuator, hyd srg brk - adj	Option: adjustable hitch
P	30248	1	Cap, actuator, sealed	Option: adjustable hitch

BRAKE LINES



ITEM	PART NO.	QTY	DESCRIPTION	NOTES
1	24688	1	Hose, brake - male/male	
2	40495	1	Line, brake - .188 x 20.00	
3	40494	1	Line, brake - .188 X 30.00	
4	19252	1	Fitting, brake line T w/brckt	
5	61028	1	Clamp, muffler - 2.50 lt duty	U-bolt & saddle
6	61010	1	Clamp, tubing - heavy duty	

REV: A
PART NO: 49522
02.15.12